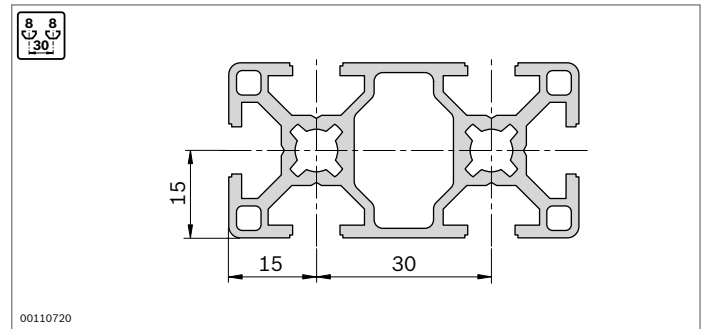
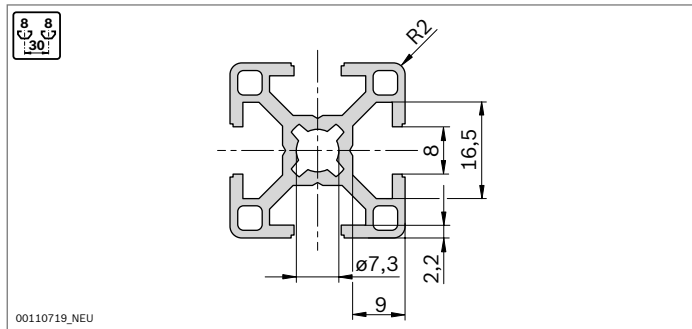


# Strut profiles with 8 mm slot

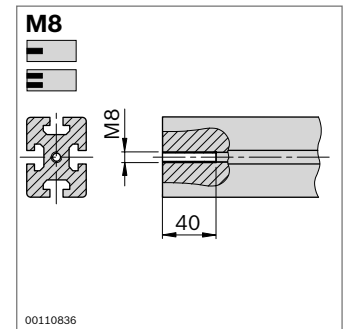
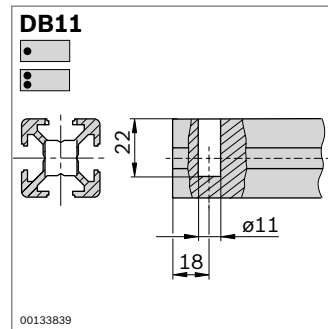
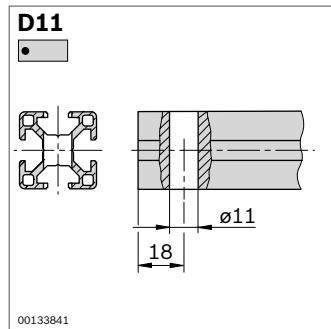
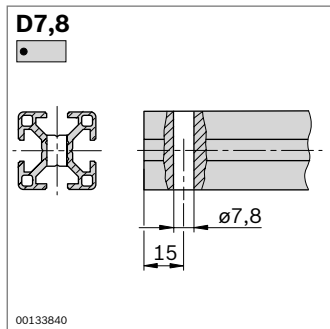
Strut profiles with a 8 mm slot are suitable for medium loads, such as material shuttles, light fixtures, frames and partition walls.

Profile 30x60x60 is suitable for constructing showcases and flow racks. Attractive covers and hoods can be designed with radius profiles.

## Slot, modular dimensions, central bore



## Profile finishing

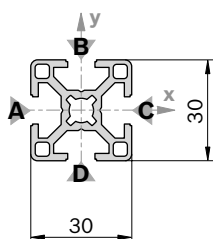


## Minimum profile lengths (mm) for Quick & Easy standard profile finishes on one or both sides

	-	M8	D7.8	D11/DB11
-	50	50	50	50
M8	50	80	62	70
D7.8	50	62	60	50
D11/DB11	50	70	50	60

**30x30**

A = 3,1 cm<sup>2</sup>  
 I<sub>x</sub> = 2,8 cm<sup>4</sup>  
 I<sub>y</sub> = 2,8 cm<sup>4</sup>  
 W<sub>x</sub> = 1,8 cm<sup>3</sup>  
 W<sub>y</sub> = 1,8 cm<sup>3</sup>  
 m = 0,9 kg/m



19178

Cap	Color	ESD	No.
30x30 (1x)	Signal gray	100	3 842 548 744
30x30 (1x)	Black	20	3 842 548 745

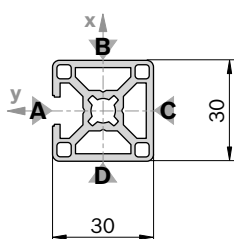
Material: PP

Cap with hole	Color	ESD	No.
30x30 (1x)	Signal gray	20	3 842 548 774
30x30 (1x)	Black	20	3 842 548 775

Material: PP

**30x30 1N**

A = 3,7 cm<sup>2</sup>  
 I<sub>x</sub> = 3,1 cm<sup>4</sup>  
 I<sub>y</sub> = 3,5 cm<sup>4</sup>  
 W<sub>x</sub> = 2,0 cm<sup>3</sup>  
 W<sub>y</sub> = 2,3 cm<sup>3</sup>  
 m = 1,0 kg/m

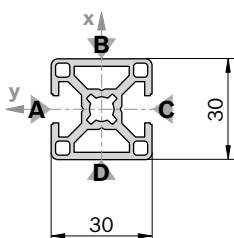


19179

Cap: See 30x30

**30x30 2N**

A = 3,7 cm<sup>2</sup>  
 I<sub>x</sub> = 3,1 cm<sup>4</sup>  
 I<sub>y</sub> = 3,5 cm<sup>4</sup>  
 W<sub>x</sub> = 2,0 cm<sup>3</sup>  
 W<sub>y</sub> = 2,3 cm<sup>3</sup>  
 m = 1,0 kg/m



19180

Cap: See 30x30

30x30	L (mm)	No.
1 pc	50 ... 5600	3 842 990 720 / L
1 pc M8	50 ... 5600	3 842 990 721 / L
1 pc M8 M8	80 ... 5600	3 842 990 723 / L
1 pc M8 D11	70 ... 5600	3 842 990 724 / L
1 pc D7,8 D7,8	60 ... 5600	3 842 992 965 / L
1 pc D11	50 ... 5600	3 842 990 722 / L
1 pc D11 D11	60 ... 5600	3 842 990 725 / L
1 pc D11 D11V	60 ... 5600	3 842 990 726 / L
20 pcs	5600	3 842 509 178

Quick & Easy (p. 2-8, see fold-out section)

30x30	3 842 993 703 / ...
Length L (mm)	50 ... 5600
Standard profile finishes (note minimum length, p. 2-16)	M8 / D7.8 / D11 / DB11
Individual profile finishes (L <sub>max</sub> = 4900 mm)	DI / DIS / MT / MTS / MI / MIS / DG <sup>1)</sup>

<sup>1)</sup> DG<sub>max</sub> = 45°; L<sub>min1</sub> / L<sub>min2</sub> = 352 / 404 mm

30x30 1N	L (mm)	No.
1 pc	50 ... 5600	3 842 992 397 / L
20 pcs	5600	3 842 506 948

Quick & Easy (p. 2-8, see fold-out section)

30x30 1N	3 842 993 704 / ...
Length L (mm)	50 ... 5600
Standard profile finishes (note minimum length, p. 2-16)	M8 / D7.8 / D11 / DB11
Individual profile finishes (L <sub>max</sub> = 4900 mm)	DI / DIS / MT / MTS / MI / MIS / DG <sup>1)</sup>

<sup>1)</sup> DG<sub>max</sub> = 45°; L<sub>min1</sub> / L<sub>min2</sub> = 352 / 404 mm

30x30 2N	L (mm)	No.
1 pc	50 ... 5600	3 842 992 399 / L
20 pcs	5600	3 842 506 950

Quick & Easy (p. 2-8, see fold-out section)

30x30 2N	3 842 993 705 / ...
Length L (mm)	50 ... 5600
Standard profile finishes (note minimum length, p. 2-16)	M8 / D7.8 / D11 / DB11
Individual profile finishes (L <sub>max</sub> = 4900 mm)	DI / DIS / MT / MTS / MI / MIS / DG <sup>1)</sup>

<sup>1)</sup> DG<sub>max</sub> = 45°; L<sub>min1</sub> / L<sub>min2</sub> = 352 / 404 mm