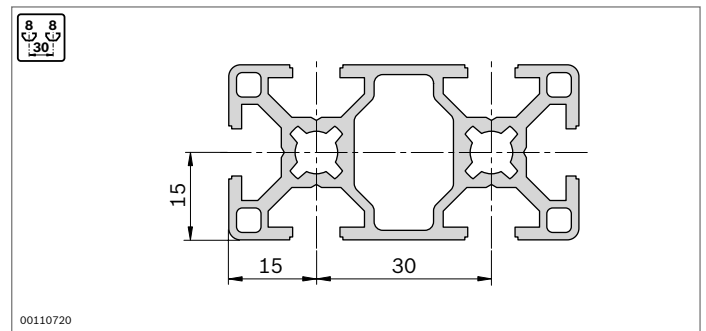
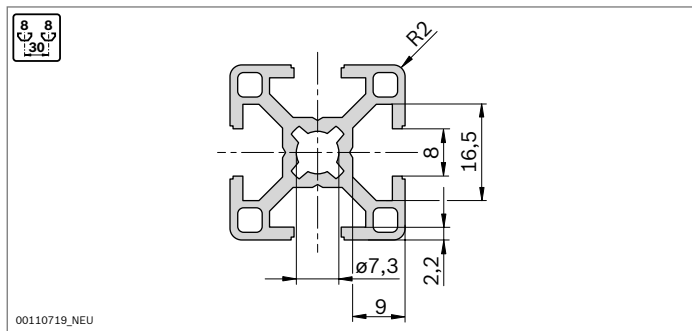


# Strut profiles with 8 mm slot

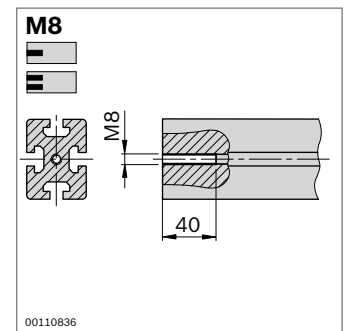
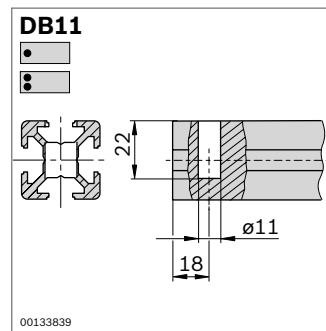
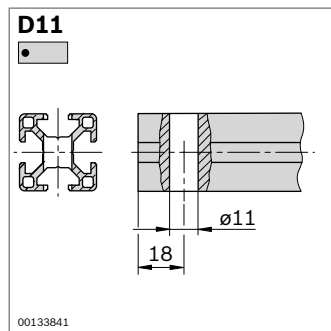
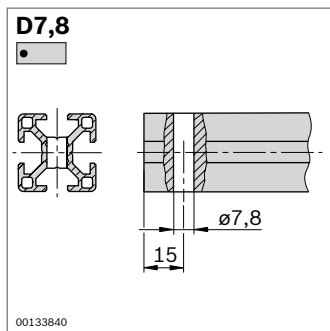
Strut profiles with a 8 mm slot are suitable for medium loads, such as material shuttles, light fixtures, frames and partition walls.

Profile 30x60x60 is suitable for constructing showcases and flow racks. Attractive covers and hoods can be designed with radius profiles.

## Slot, modular dimensions, central bore



## Profile finishing

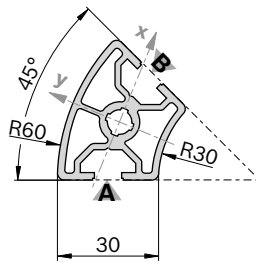


## Minimum profile lengths (mm) for Quick & Easy standard profile finishes on one or both sides

	-	M8	D7.8	D11/DB11
-	50	50	50	50
M8	50	80	62	70
D7.8	50	62	60	50
D11/DB11	50	70	50	60

**30x45°**

A = 4,0 cm<sup>2</sup>  
 I<sub>x</sub> = 3,6 cm<sup>4</sup>  
 I<sub>y</sub> = 5,1 cm<sup>4</sup>  
 W<sub>x</sub> = 2,1 cm<sup>3</sup>  
 W<sub>y</sub> = 2,3 cm<sup>3</sup>  
 m = 1,1 kg/m



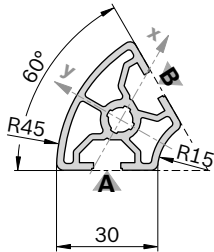
19184

Cap	Color	ESD	No.
30x45° (1x)	Black	20	3 842 524 051

Material: PA

**30x60°**

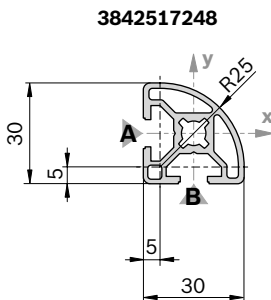
A = 3,6 cm<sup>2</sup>  
 I<sub>x</sub> = 3,0 cm<sup>4</sup>  
 I<sub>y</sub> = 4,1 cm<sup>4</sup>  
 W<sub>x</sub> = 1,7 cm<sup>3</sup>  
 W<sub>y</sub> = 1,9 cm<sup>3</sup>  
 m = 1,0 kg/m



19185

**30x30 R**

A = 2,9 cm<sup>2</sup>  
 I<sub>x</sub> = 2,3 cm<sup>4</sup>  
 I<sub>y</sub> = 2,3 cm<sup>4</sup>  
 W<sub>x</sub> = 1,4 cm<sup>3</sup>  
 W<sub>y</sub> = 1,4 cm<sup>3</sup>  
 m = 0,8 kg/m



19186

Cap	Color	ESD	No.
30x30 R (1x)	Signal gray	20	3 842 548 776
30x30 R (1x)	Black	20	3 842 548 777

Material: PP

30x45°	L (mm)	No.
1 pc	50 ... 5600	3 842 993 011 / L
20 pcs	5600	3 842 524 034

Quick & Easy (p. 2-8, see fold-out section)

30x45°	3 842 993 711 / ...
Length L (mm)	50 ... 5600
Standard profile finishes (note minimum length, p. 2-16)	M8
Individual profile finishes	—

30x60°	L (mm)	No.
1 pc	50 ... 5600	3 842 993 012 / L
20 pcs	5600	3 842 524 037

Quick & Easy (p. 2-8, see fold-out section)

30x60°	3 842 993 714 / ...
Length L (mm)	50 ... 5600
Standard profile finishes (note minimum length, p. 2-16)	M8
Individual profile finishes	—

30x30 R	L (mm)	No.
1 pc	50 ... 5600	3 842 992 896 / L
20 pcs	5600	3 842 517 198

Quick & Easy (p. 2-8, see fold-out section)

30x30 R	3 842 993 709 / ...
Length L (mm)	50 ... 5600
Standard profile finishes (note minimum length, p. 2-15)	M8 / DB11
Individual profile finishes	—