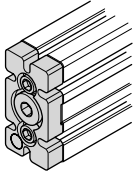
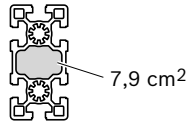


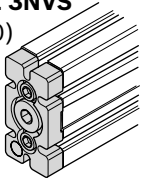
**45x90**  
(p. 2-41)



**45x90**

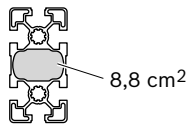


**45x90L**  
**45x90L 2N**  
**45x90L 3NVS**  
(p. 2-40)



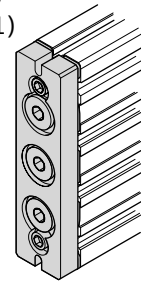
19585

**45x90L**

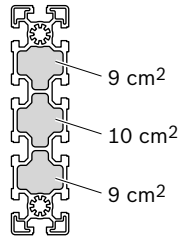


00109731

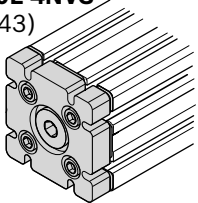
**45x180**  
(p. 2-41)



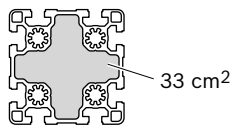
**45x180**



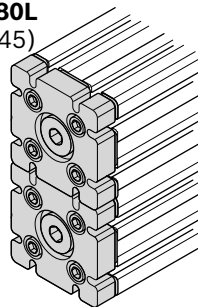
**90x90L**  
**90x90L 4N**  
**90x90L 4NVS**  
(p. 2-43)



**90x90L**

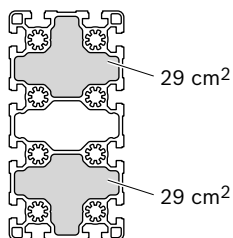


**90x180L**  
(p. 2-45)



19588

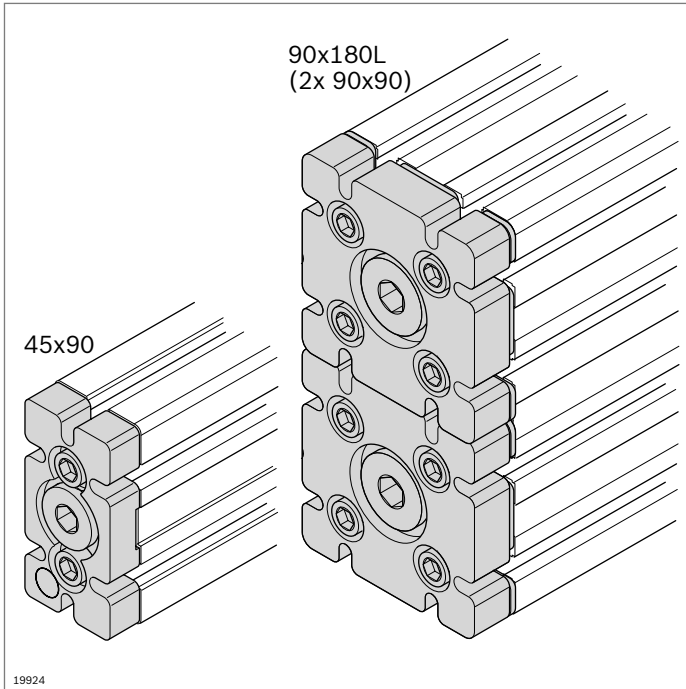
**90x180L**



00109734

## Air-supply elements

- ▶ Rexroth **strut profiles** can be used as compressed-air leads and reservoirs. The hollow chambers or central holes are used
- ▶ **Flanged plate** for end closing of profiles (p. 5-3)
- ▶ Compressed-air intake or discharge at the flanged plate, **connection piece**, or **connection screw fitting** (p. 5-4)
- ▶ Air-tight connecting of profiles with **longitudinal end connectors or T-connectors** (p. 5-6, 5-5)
- ▶ The use of the heavy-duty profiles is preferable in the case of more demanding leak-tightness requirements (e.g. for underwater applications)

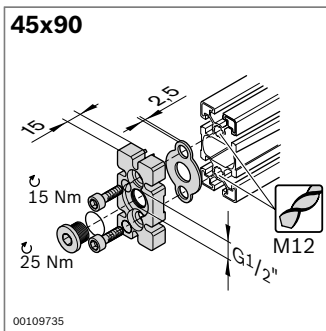


## Flanged plate



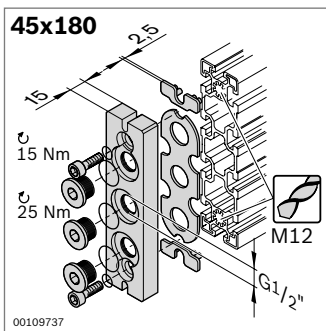
- ▶ For sealing the ends of the hollow chambers. This enables the profiles to be used as a compressed-air lead
- ▶ For compressed-air introduction or removal when screw plugs are replaced by pneumatic screw fittings
- ▶ Profile machining: M12 thread cutting in the central holes
- ▶ For a maximum pressure ( $p_{max}$ ) of 8 bar

5



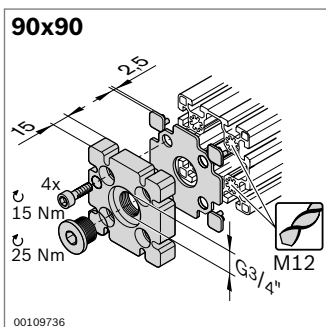
### FS1

DIN 7984  
M12x30



### FS2

DIN 7984  
M12x20



### FS1

DIN 7984  
M12x30

Flanged plate	No.	FS
<b>45x90</b>	<b>3 842 523 097</b>	2xFS1

Material: Flanged plate: diecast aluminum  
Seal: NBR  
Fastening material: steel; galvanized  
Scope of delivery: Incl. fastening material (FS), screw plug, seals

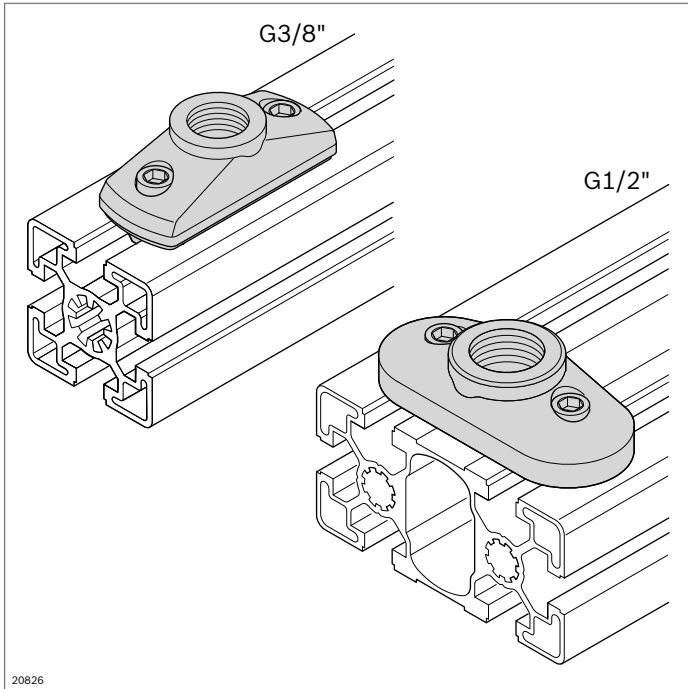
Flanged plate	No.	FS
<b>45x180</b>	<b>2 3 842 535 721</b>	2xFS2

Material: Flanged plate: aluminum  
Seal: NBR  
Fastening material: steel; galvanized  
Scope of delivery: Incl. fastening material (FS), 2 x spacer,  
3 x screw plug, seals

Flanged plate	No.	FS
<b>90x90</b>	<b>3 842 523 098</b>	4xFS1

Material: Flanged plate: diecast aluminum  
Seal: NBR  
Fastening material: steel; galvanized  
Scope of delivery: Incl. fastening material (FS), 4 x spacer, screw  
plug, seals

**Notice:** Only suitable for light profiles 90x90L and 90x180L.

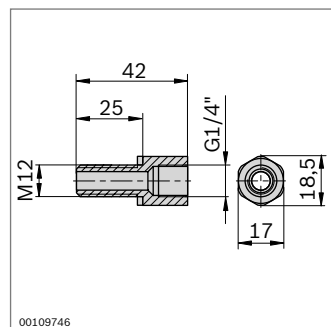
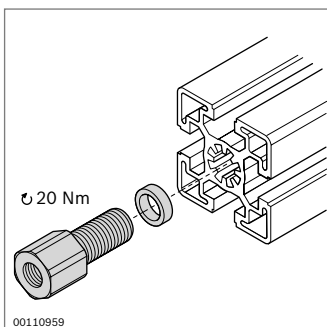
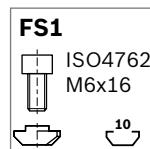
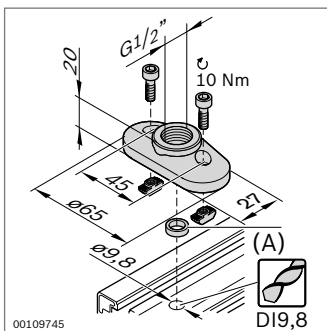
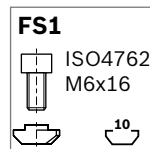
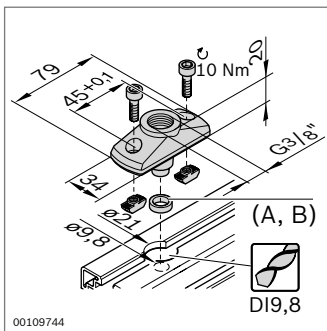


### Connection piece Connection screw fitting M12-1/4"



#### Connection piece

- ▶ For compressed-air intake or discharge at any point on the profile
- ▶ G3/8" for connection at central hole
- ▶ G1/2" for connection at hollow chamber
- ▶ Suitable for light and standard profiles
- ▶ Profile machining: blind hole DI9,8; blind hole  $\varnothing$  21 mm (drilling jig **3 842 528 574**, p. 14-3)
- ▶ For a maximum pressure ( $p_{max}$ ) of 8 bar



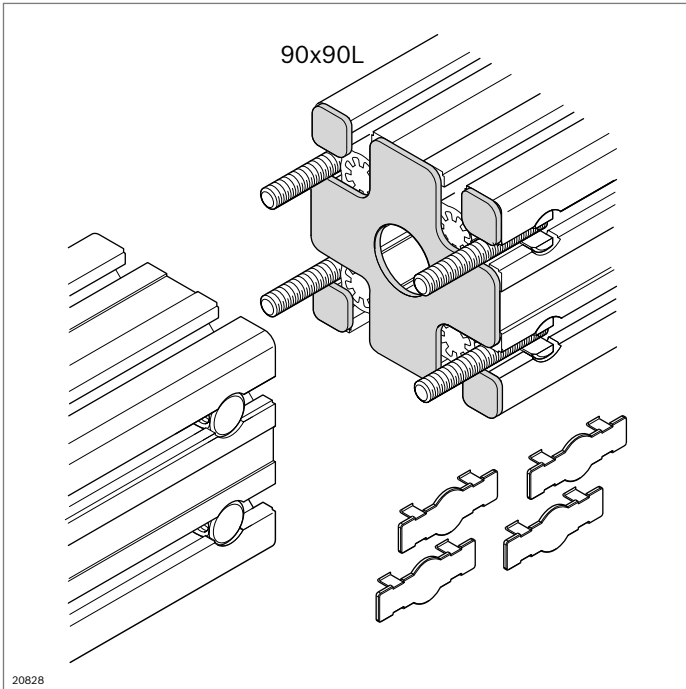
Connection piece	No.	FS
<b>G3/8"</b>	<b>3 842 523 092</b>	2xFS1
Material:	Connection piece diecast aluminum Seal: NBR	
Scope of delivery:	Incl. fastening material, seals <b>(A, B)</b>	
Accessories:	Seals <b>A, B</b> (p. 5-6)	

Connection piece	No.	FS
<b>G1/2"</b>	<b>3 842 352 085</b>	2xFS1
Material:	Connection piece diecast zinc Seal: NBR	
Scope of delivery:	Incl. fastening material, seal <b>(A)</b>	
Accessories:	Seal <b>A</b> (p. 5-6)	

#### Connection screw fitting M12-1/4"

- ▶ For screw fitting in central hole
- ▶ Profile machining: M12
- ▶ For a maximum pressure ( $p_{max}$ ) of 8 bar

Connection screw fitting	No.
<b>M12-1/4"</b>	<b>10 3 842 535 719</b>
Material:	Connection screw fitting: steel; galvanized Seal: PVC, hard
Scope of delivery:	Incl. seal



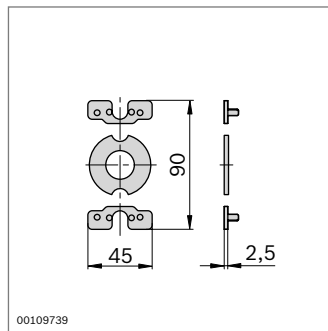
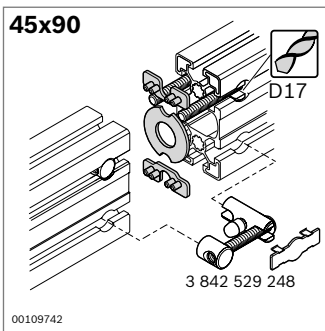
### Longitudinal end connection



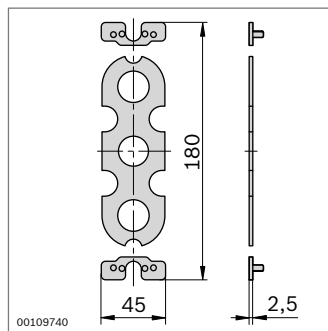
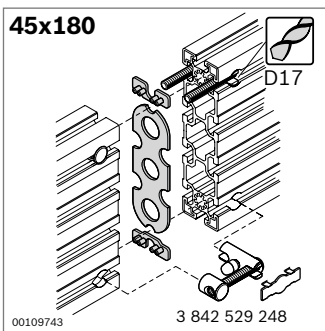
- ▶ Seal for end-to-end connection of profiles carrying compressed air
- ▶ Profile machining: through hole D17 (45x90, 45x180); blind hole LF (90x90L)
- ▶ For a maximum pressure ( $p_{max}$ ) of 8 bar

Required accessories:

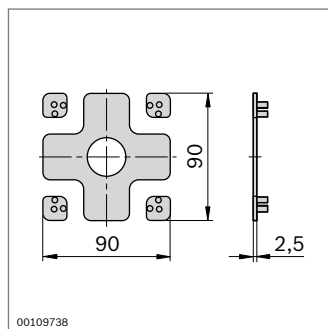
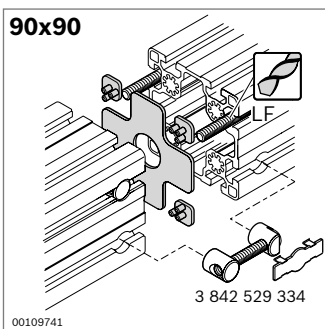
Longitudinal end connector for profile connection (p. 3-56)



Longitudinal end connection	No.
<b>45x90</b>	<b>3 842 508 087</b>
Material:	Seal: PUR Spacer: PA
Scope of delivery:	Seal, 2 x spacer

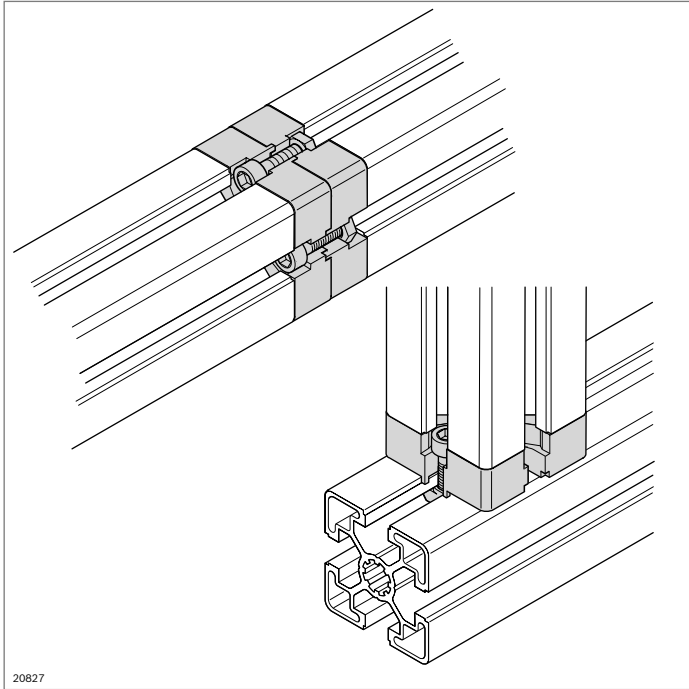


Longitudinal end connection	No.
<b>45x180</b>	<b>3 842 508 088</b>
Material:	Seal: NBR Spacer: PA
Scope of delivery:	Seal, 2 x spacer



Longitudinal end connection	No.
<b>90x90</b>	<b>3 842 510 145</b>
Material:	Seal: NBR Spacer: PA
Scope of delivery:	Seal, 4 x spacer

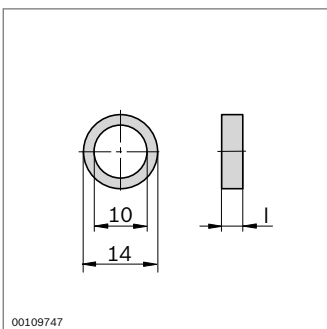
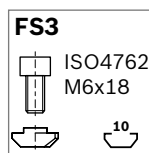
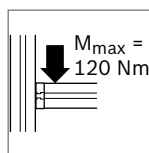
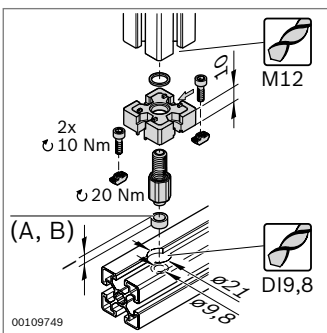
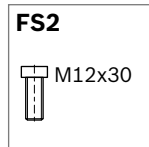
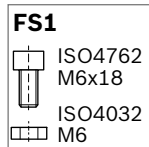
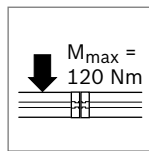
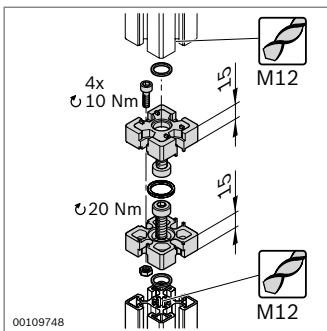
**Note:** Only suitable for light profile 90x90L.



### Longitudinal end connector 45 Pneu T-connector 45 Pneu, seal



- ▶ Longitudinal end connector 45 Pneu for end face mechanical and pneumatic connections of two 45x45 or 45x45L profiles to convert the central bore into a compressed-air line
- ▶ T-connector 45 Pneu for mechanical and pneumatic connections of two 45x45 or 45x45L profiles at a 90° angle to convert the central bore into a compressed-air line
- ▶ Profile machining: M12 in central bore; blind hole DI9.8; blind hole  $\varnothing$  21 mm (drilling jig **3 842 528 574**, p. 14-3)
- ▶ For a maximum pressure ( $p_{max}$ ) of 8 bar



Longitudinal end connector	No.	FS
45 Pneu	3 842 523 094	4xFS1, 2xFS2

Material: Longitudinal end connector: diecast aluminum  
Seal: NBR

Scope of delivery: Incl. fastening material, sealing rings

T-connector	No.	FS
45 Pneu	3 842 523 093	2xFS3

Material: T-connector: diecast aluminum  
Seal: NBR

Scope of delivery: Incl. fastening material, seals (A, B) for standard and light profiles

- ▶ Seal for connection piece and T-connector

Seal	l (mm)	No.
A For standard profiles	4 10	3 842 503 242
B For light profiles	7 10	3 842 523 102

Material: NBR