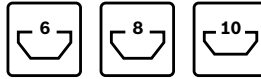
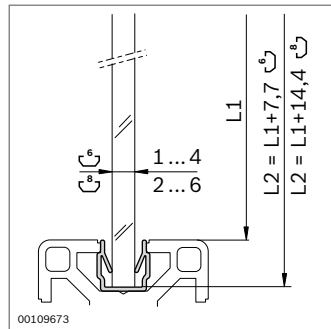
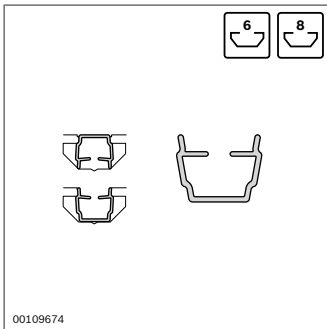


Mounting rim profile

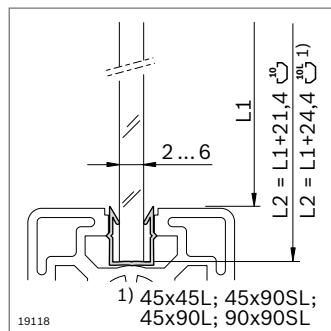
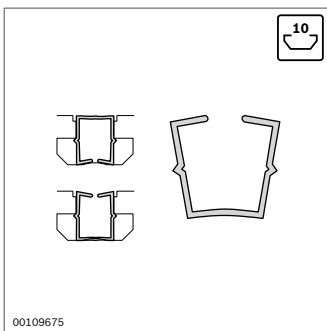


- ▶ For the secure attachment of surface elements in the profile slot
- ▶ For surface elements up to 6 mm thick
- ▶ Installation during frame assembly
- ▶ Mounting rim profiles PP can also be used as cover profiles



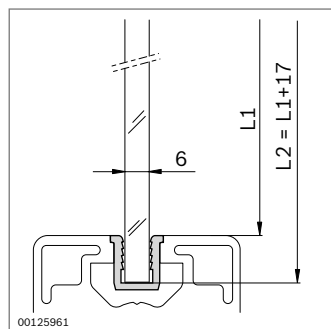
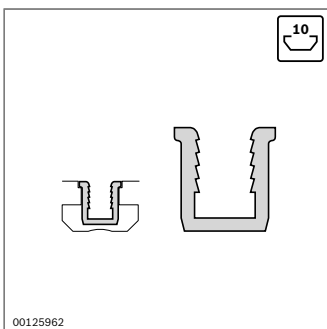
Mounting rim profile	Slot	s (mm)	L (mm)	No.
	6	1 ... 4	2000	3 842 518 343
	8	2 ... 6	2000	3 842 518 347

Material: PP; black



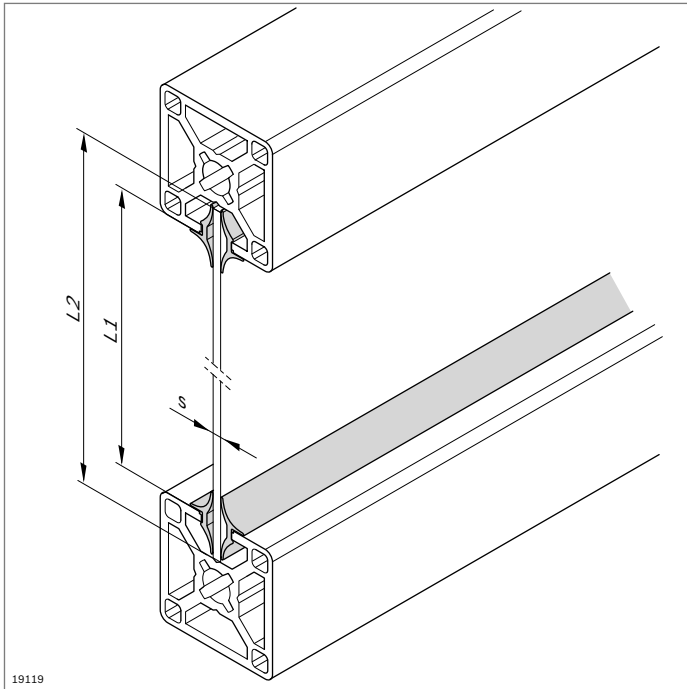
Mounting rim profile	Slot	s (mm)	L (mm)	No.
	10	2 ... 6	2000	3 842 518 351

Material: PP; black

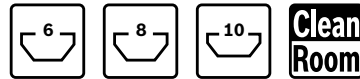


Mounting rim profile	Slot	s (mm)	L (mm)	No.
	10	6	2000	3 842 146 906

Material: PE; black

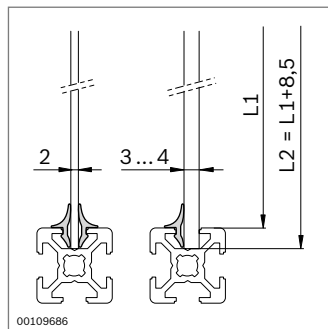
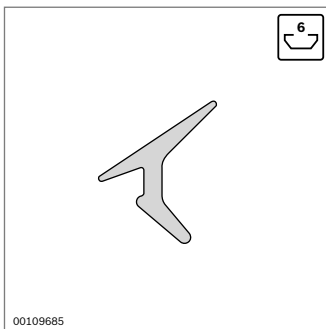


Mounting rim profile Clean



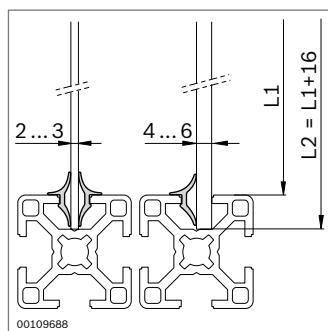
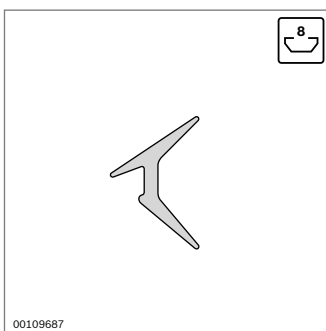
- ▶ For the secure attachment of surface elements in the profile slot
- ▶ For surface elements with a thickness of 2 to 8 mm
- ▶ For use on one or two sides of the mounting rim profile, depending on the surface element thickness
- ▶ Installation during profile frame assembly
- ▶ Suitable for use under cleanroom conditions
- ▶ Assessment of highly volatile organic emissions at room temperature, 50 °C and 120 °C, Report No. BO 9903-160

7



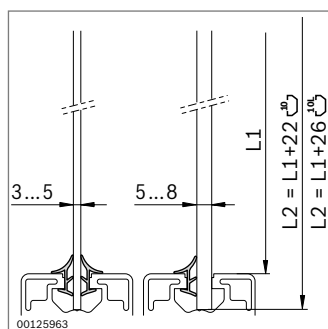
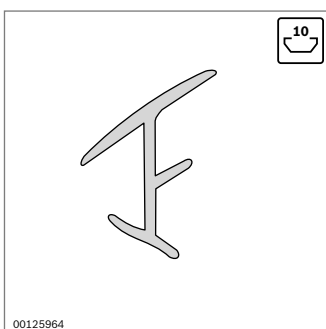
Mounting rim profile Clean	Slot	s (mm)	L (mm)	No.
	6	2 ... 4	10000	3 842 523 493

Material: TPE; light gray RAL 7035



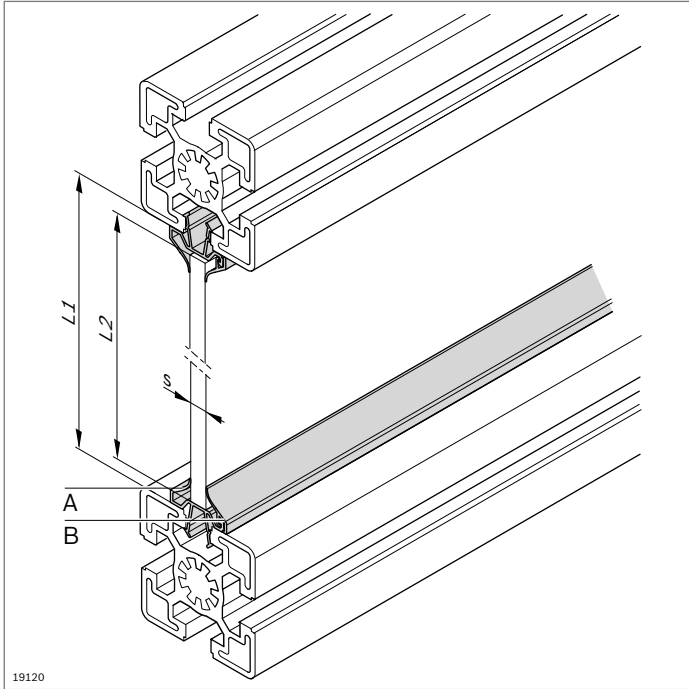
Mounting rim profile Clean	Slot	s (mm)	L (mm)	No.
	8	2 ... 6	10000	3 842 523 494

Material: TPE; light gray RAL 7035

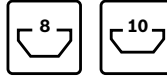


Mounting rim profile Clean	Slot	s (mm)	L (mm)	No.
	10	3 ... 8	10000	3 842 548 949

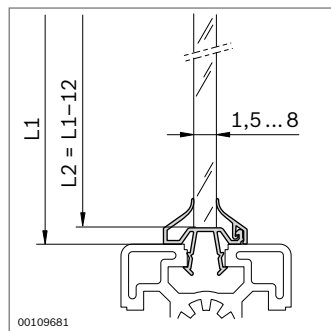
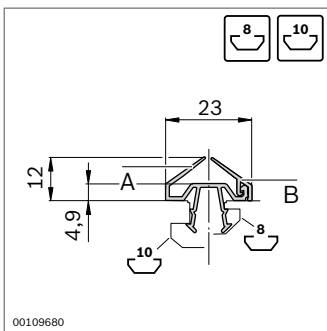
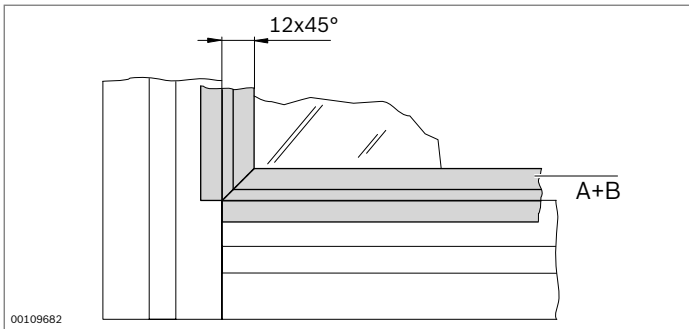
Material: TPE, light gray RAL 7035



Protective pane profile, PVC

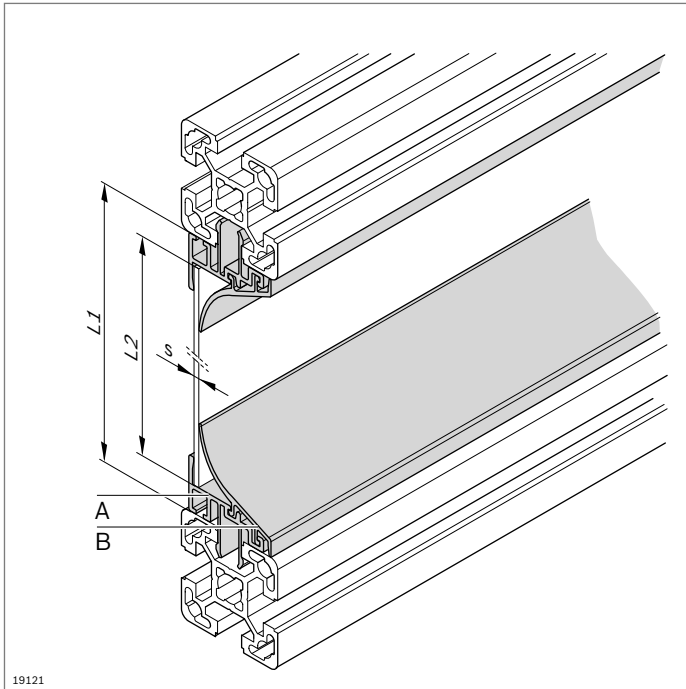


- ▶ For the secure attachment of surface elements
- ▶ For surface elements with a thickness of 1.5 to 8 mm
- ▶ For subsequent installation in closed frame constructions
- ▶ Installation of surface elements at center of slot
- ▶ The protective pane profile consists of the basic profile (**A**) and the clip strip (**B**)
- ▶ With lip seals to protect the working space from splashing liquids

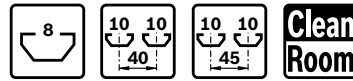


Protective pane profile, PVC	Slot	s (mm)	L (mm)		No.
A Base profile	8, 10	1.5 ... 8	2000	10	3 842 519 565
B Clip strip	8, 10	1.5 ... 8	2000	10	3 842 519 567

Material: PVC; black

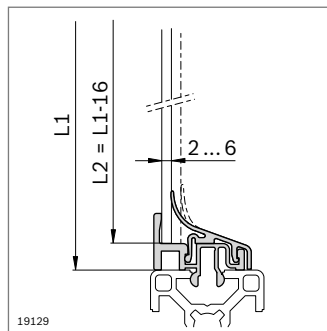
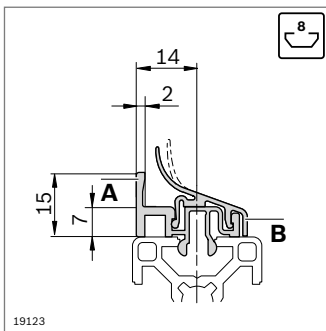


Protective pane profile Clean



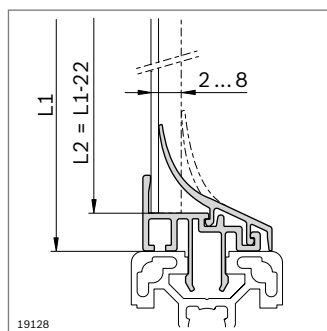
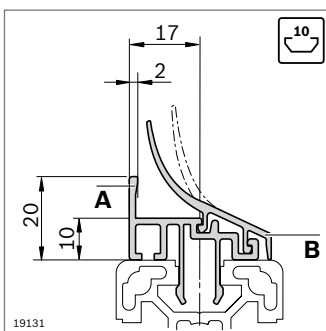
- ▶ For the secure attachment of surface elements
- ▶ For surface elements with a thickness of 1.5 to 8 mm
- ▶ For subsequent installation in closed frame constructions
- ▶ Installation of surface elements flush with the profile edge
- ▶ The protective pane profile consists of the basic profile (A) and the clip-on strip (B). Both profiles are required for proper functioning.
- ▶ Suitable for use under cleanroom conditions
- ▶ Assessment of highly volatile organic emissions at room temperature, 50 °C and 120 °C, Report No. BO 9903-161

7



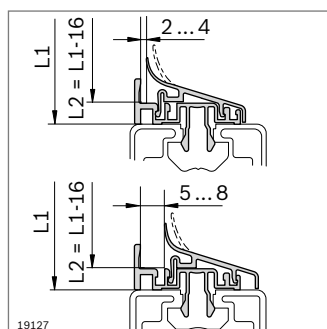
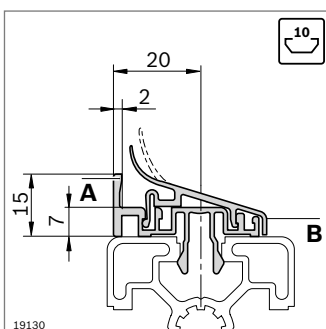
Protective pane profile	Slot	s (mm)	L (mm)	No.
A Basic profile	8	2 ... 6	2000	10 3 842 524 025
B Clip strip	8	2 ... 6	2000	10 3 842 524 026

Material: Base profile: aluminum, anodized
Clip strip: PP/TPE; light gray RAL 7035



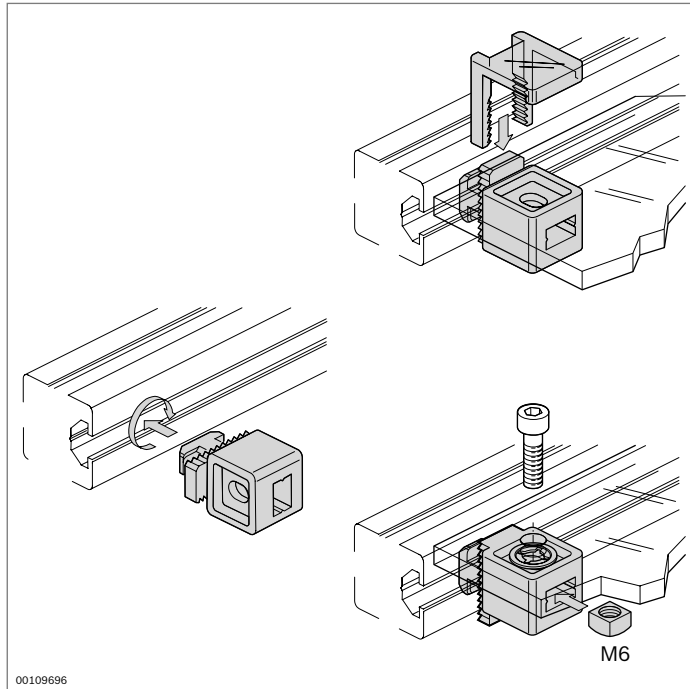
Protective pane profile	Slot	s (mm)	L (mm)	No.
A Basic profile	10	2 ... 8	2000	10 3 842 529 761
B Clip strip	10	2 ... 8	2000	10 3 842 529 762

Material: Base profile: aluminum, anodized
Clip-on strip: PP/TPE; light gray RAL 7035

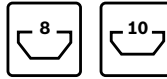


Protective pane profile	Slot	s (mm)	L (mm)	No.
A Basic profile	10	2 ... 8	2000	10 3 842 524 027
B Clip strip	10	2 ... 8	2000	10 3 842 524 028

Material: Basic profile: aluminum, anodized
Clip strip: PP/TPE; light gray RAL 7035



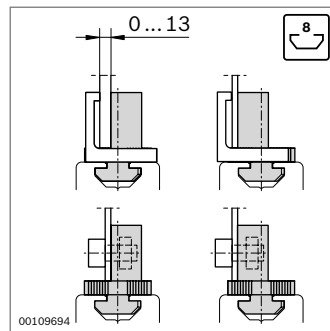
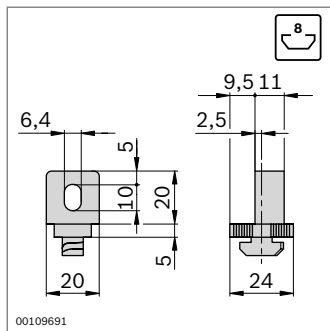
Variofix Block



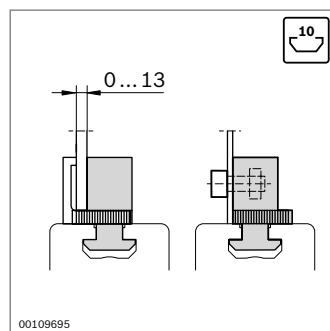
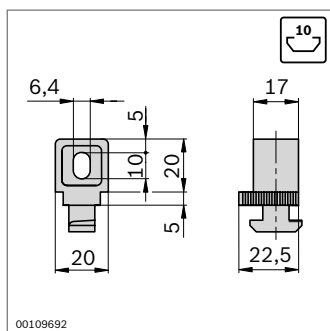
- ▶ For surface elements up to 13 mm thick
- ▶ For subsequent installation in closed frame constructions
- ▶ Asymmetrical form enables fastening of surface elements in two different positions
- ▶ Clamping via snap-in clips or screw fitting with square nut M6 (included in scope of delivery) and screw
- ▶ Retainer ring for connecting the screw to the surface element (Machinery Directive 2006/42/EC)

Accessories:

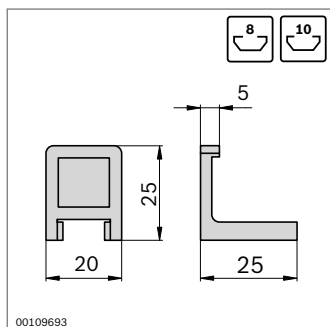
- ▶ Variofix remover (p. 14-7)
- ▶ Screw for fitting with square nut



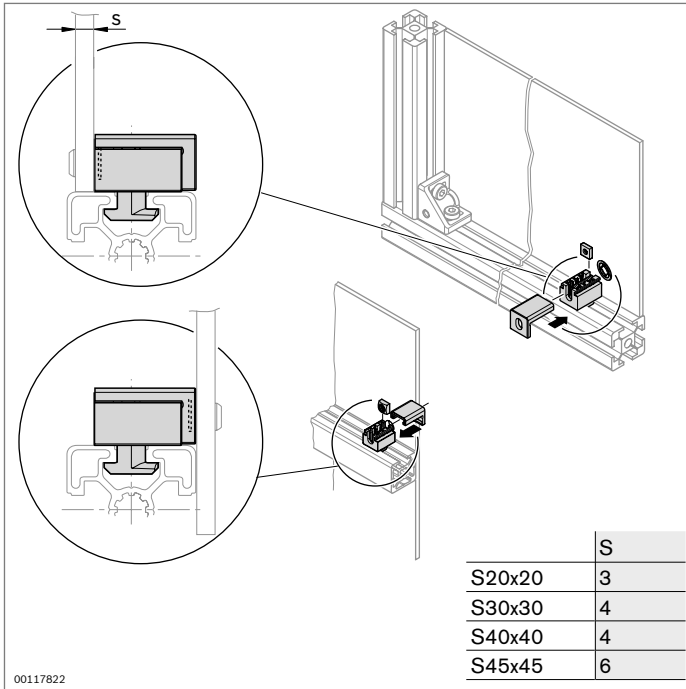
Variofix block	Color	Slot	No.
	Signal gray	8	10 3 842 548 832
Material:	PP		
	Square nut: steel, galvanized		
Scope of delivery:	Incl. square nut		



Variofix block	Color	Slot	No.
	Signal gray	10	10 3 842 548 834
Material:	PP		
	Square nut: steel, galvanized		
Scope of delivery:	Incl. square nut M6, retainer ring M6		



Snap-in clip	No.
	10 3 842 184 738
Material:	PA; colorless



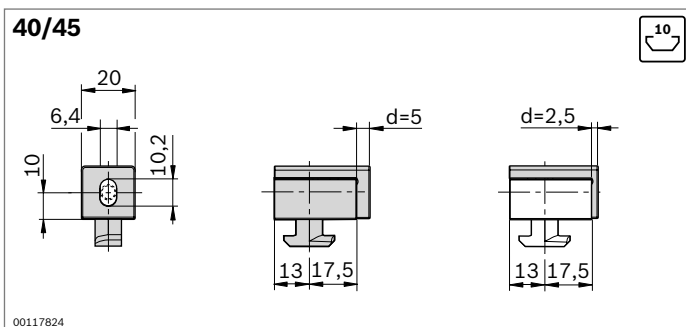
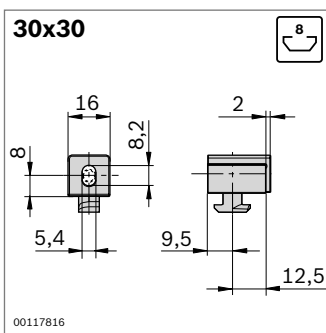
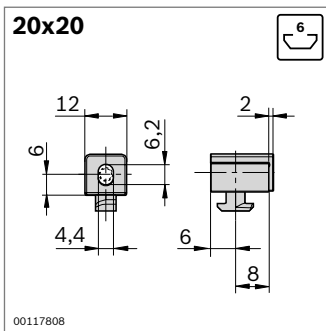
Variofix S Block



- ▶ For virtually gap-free surface element mounting
- ▶ For subsequent installation in closed frame constructions
- ▶ The asymmetrical design and cap enable variable mounting positions for the surface elements: flush with the profile edge or situated in front of the profile
- ▶ Retainer ring for connecting the screw to the surface element (Machinery Directive 2006/42/EC)

Required accessories:

Screw for fastening the surface element



Variofix S block	Color	Slot	No.
20x20	Signal gray	6	10

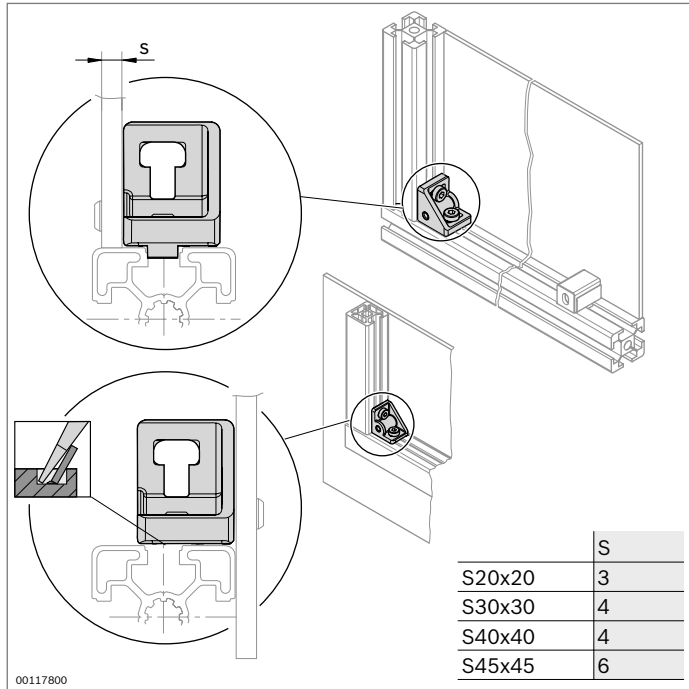
Material: PP
 Square nut: steel, galvanized
 Scope of delivery: Incl. square nut M4, cap

Variofix S block	Color	Slot	No.
30x30	Signal gray	8	10

Material: PP
 Square nut: steel, galvanized
 Scope of delivery: Incl. square nut M5, cap, retainer ring

Variofix block S	Color	Slot	No.
40/45	Signal gray	10	10

Material: PP
 Square nut: steel, galvanized
 Scope of delivery: Incl. square nut M5, 2 x cap (d = 2.5 mm; d = 5 mm), retainer ring



Bracket S



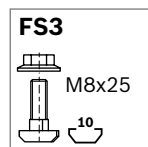
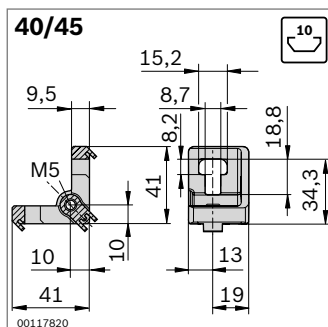
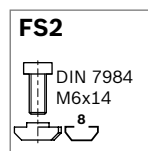
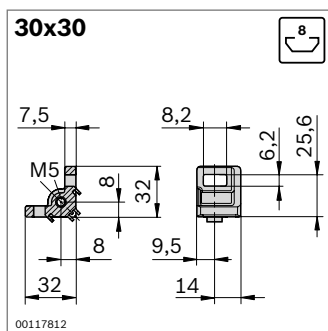
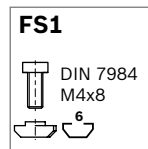
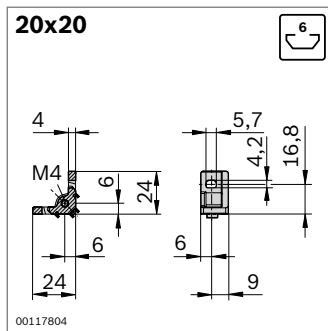
- ▶ Bracket with thread for virtually gap-free mounting of surface elements
- ▶ For subsequent installation in closed frame constructions
- ▶ Surface elements can be mounted in different positions: flush with the profile edge or situated in front of the profile (by breaking off the centering lug)

Required accessories:

Screw for fastening the surface element

Accessories, optional:

- ▶ Variofix S block (p. 7-7)
- ▶ Retainer ring (p. 7-9)



Bracket S	Slot	No.	FS
20x20	6	20	3 842 536 489
20x20 set	6	1	3 842 536 670 2xFS1

Material: Diecast aluminum

Fastening material: steel, galvanized

Scope of delivery: Set incl. fastening material (FS)

Bracket S	Slot	No.	FS
30x30	8	20	3 842 536 490
30x30 set	8	1	3 842 536 671 2xFS2

Material: diecast aluminum

Fastening material: steel, galvanized

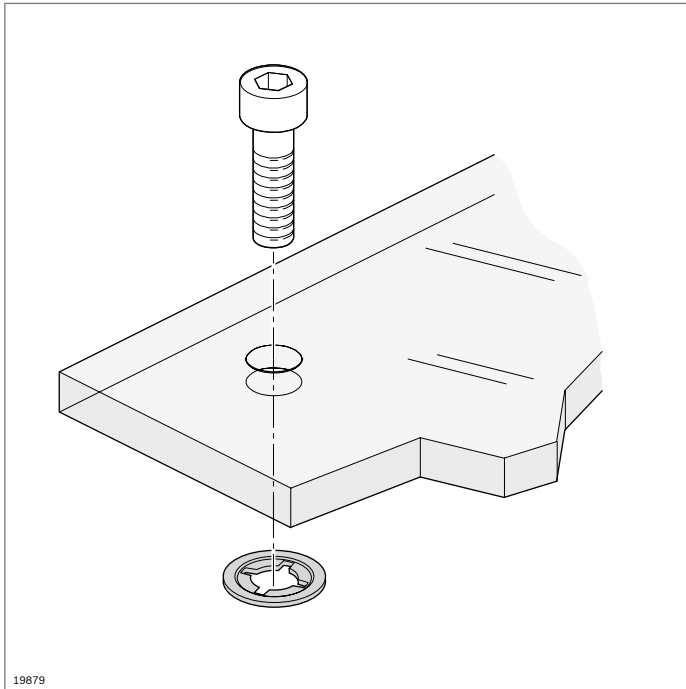
Scope of delivery: Set incl. fastening material (FS)

Bracket S	Slot	No.	FS
40/45	10	20	3 842 536 491
40/45 set	10	1	3 842 536 672 2xFS3

Material: diecast aluminum

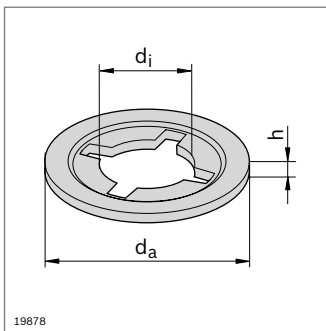
Fastening material: steel, galvanized

Scope of delivery: Set incl. fastening material (FS)



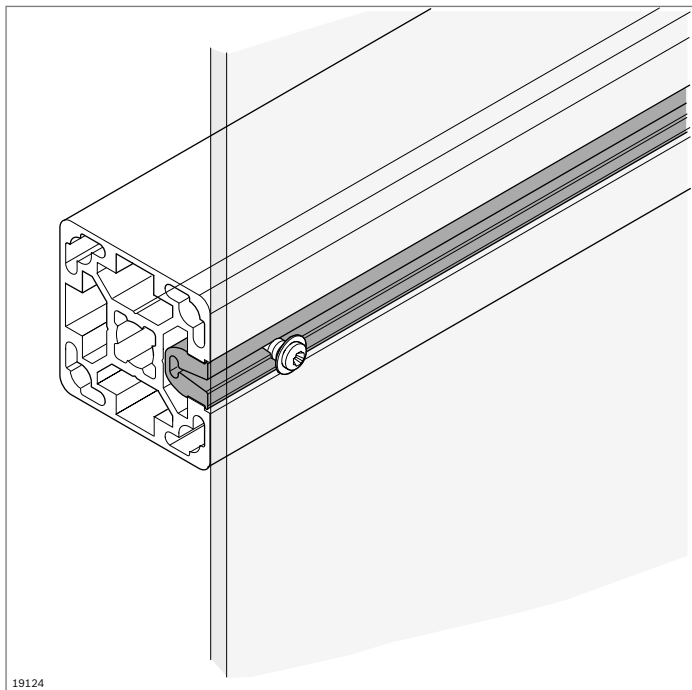
Retainer ring

- ▶ Secures the fastening screw to the surface element
- ▶ For use with all Variofix blocks, but not for the S bracket
- ▶ Retrofitting possible
- ▶ For various thread sizes



Retainer ring	d_a (mm)	d_i (mm)	h (mm)		No.
M4	9.0	3.4	1.0	100	3 842 542 328
M5	10.0	4.5	1.0	100	3 842 542 329
M6	12.5	5.5	1.5	100	3 842 542 330

Material: PA; black



19124

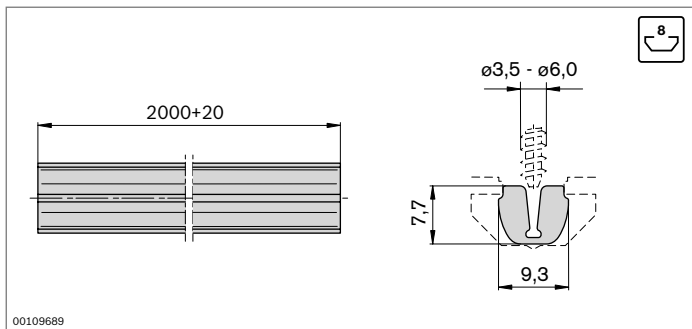
Cover strip profile



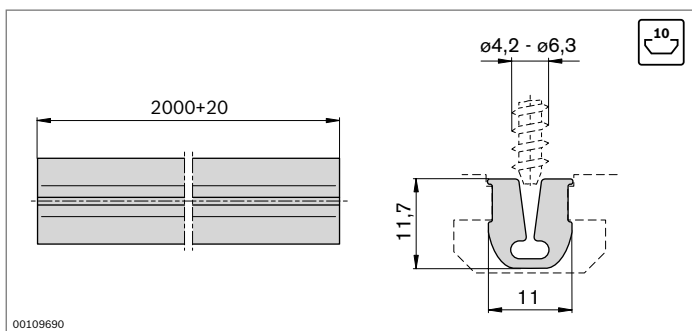
- ▶ Cover strip profile for fastening surface elements using commercially available sheet metal screws
- ▶ Clipping the cover strip profile into the profile slot
- ▶ Inexpensive connection element

Required accessories:

Sheet metal screws for fastening surface elements



00109689



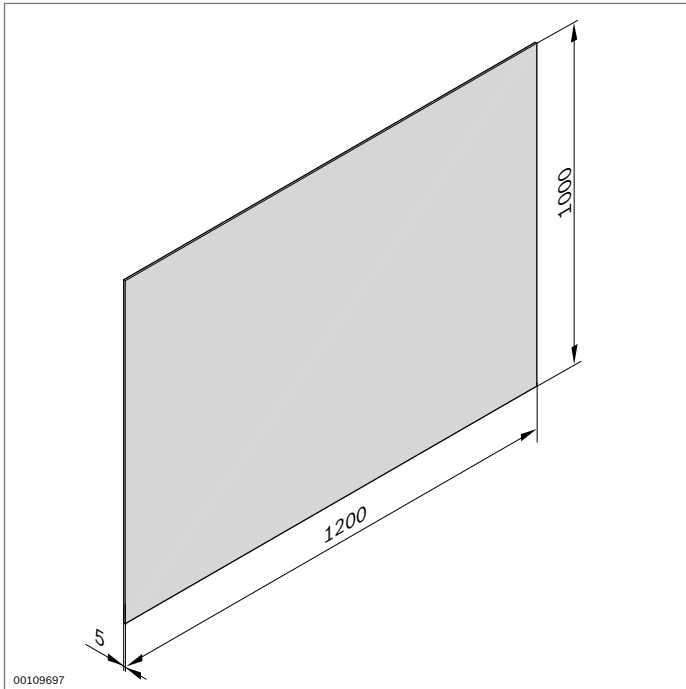
00109690

Cover strip profile	Slot	L (mm)	No.
	8	2000	3 842 524 069

Material: PVC, light gray RAL 7035

Cover strip profile	Slot	L (mm)	No.
	10	2000	3 842 524 072

Material: PVC, light gray RAL 7035



Universal plate



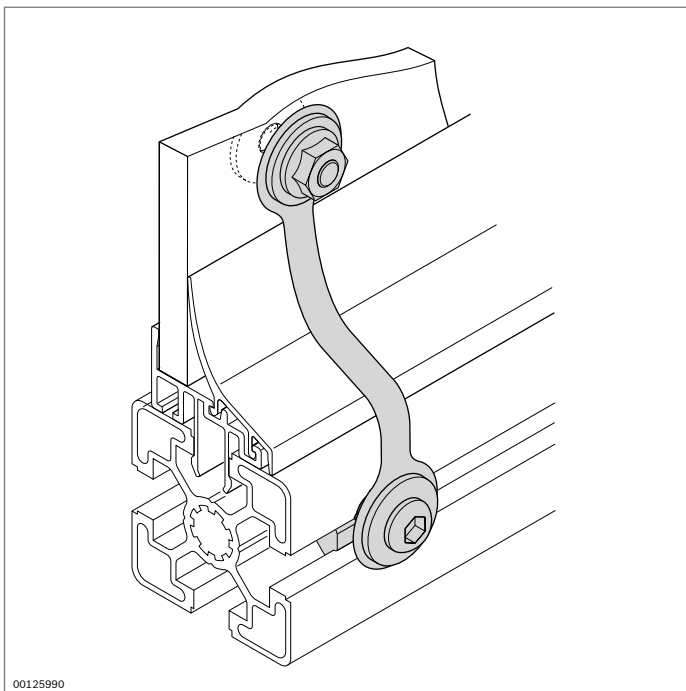
- For the construction of tablets, material shuttles, or privacy shields on tables or frames

Accessories:

Frame profile, support of surface elements

Universal plate	ESD	No.
PP		3 842 516 837
PS		3 842 516 838

Material: PP: gray, smooth on one side, grained on the other
PS: black, smooth on both sides



Potential equalizer

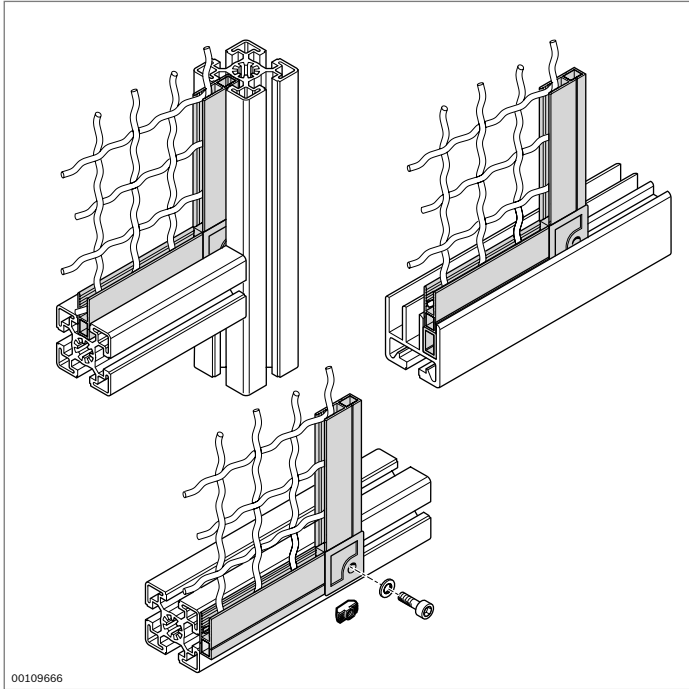


- To establish a defined electrostatic conduction between surface elements and strut profiles

Potential equalizer	ESD		No.
		10	3 842 536 148

Material: Strip steel, stainless
Fastening material: steel, galvanized

Scope of delivery: Incl. fastening material



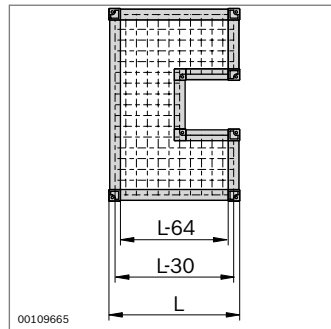
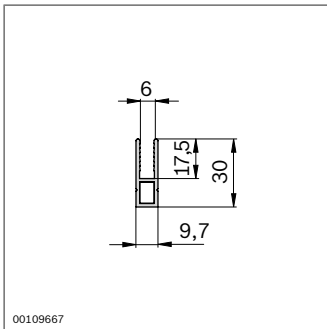
Protective grille profile



- ▶ For constructing frames for woven wire grilles or surface elements
- ▶ For woven wire grilles with a wire diameter up to 3.1 mm
- ▶ For surface elements up to 6 mm thick
- ▶ Screw fitting of frame to the outside of strut profiles (subsequent installation)
- ▶ For inserting the frame into the slot of a strut profile or a sliding door profile Al 45
- ▶ Corner pieces for inner and outer corners

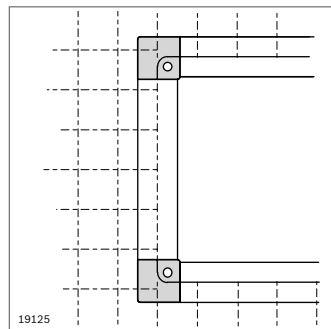
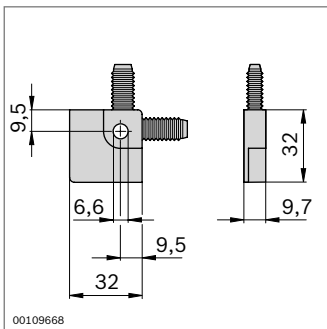
Accessories, optional:

- ▶ T-nut M6 (p. 3-4)
- ▶ Screw M6



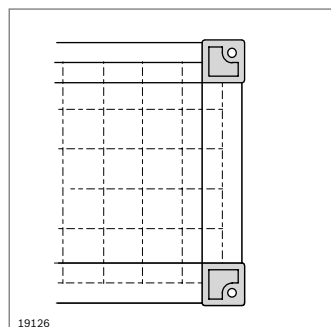
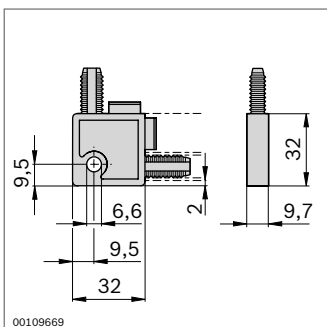
Protective grille profile	L (mm)	No.
	3000 ¹⁾	20 3 842 305 766

¹⁾ Due to the (anodic oxidation) contact points produced in the manufacturing process, supplied in profile length of 3100 mm
Material: aluminum, black anodized



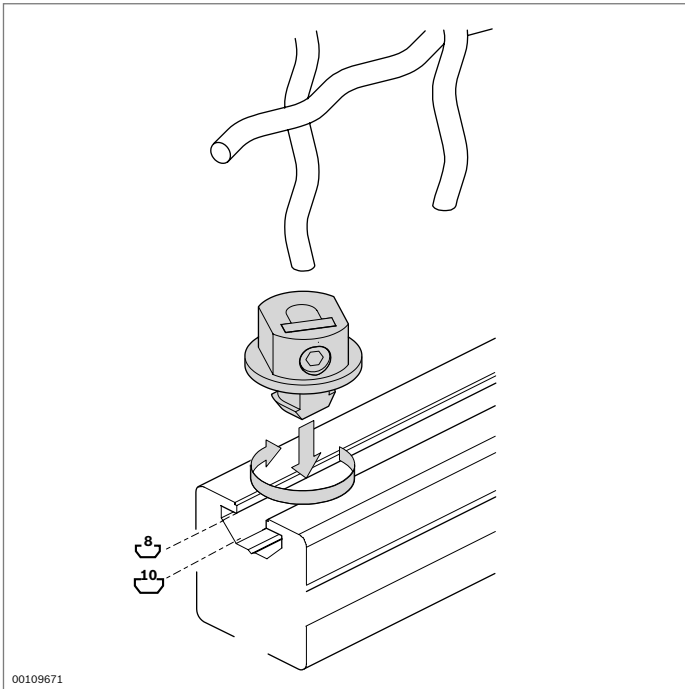
Inner corner piece	No.
	20 3 842 305 768

Material: PA; black

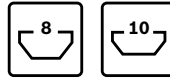


Outer corner piece	No.
	20 3 842 305 767

Material: PA; black

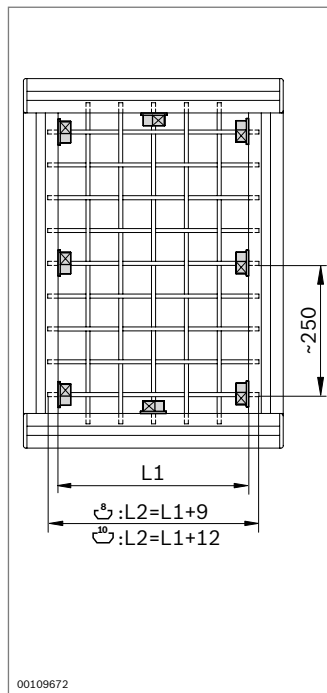
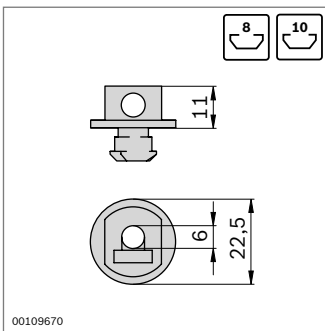


Clamp bushing



- ▶ For fastening woven wire grilles in the profile slot
- ▶ For woven wire grilles with a wire diameter up to 3.1 mm
- ▶ Suitable for 8 mm and 10 mm slots
- ▶ Inexpensive connection element
- ▶ Rattle-free attachment

7



Clamp bushing	Slot	No.	FS
	8, 10	100	3 842 515 244 FS1

Material: Diecast zinc
Fastening material: steel, galvanized

FS1

- EN ISO 4027
M6x10
- DIN 562
M6-04