

Sliders for profiles

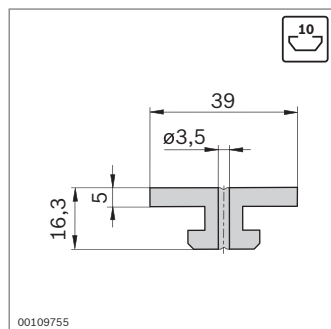
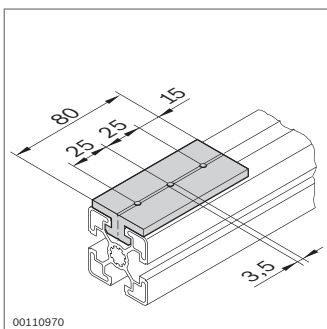
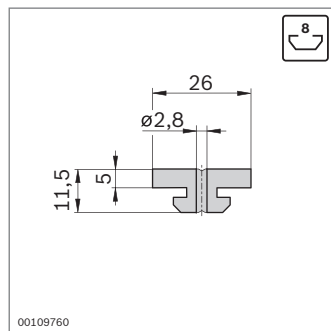
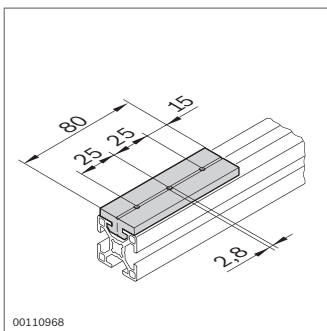
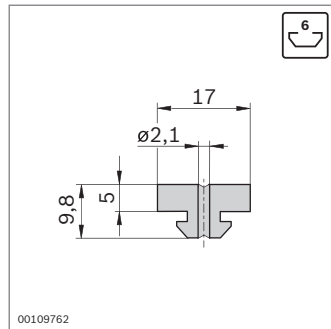
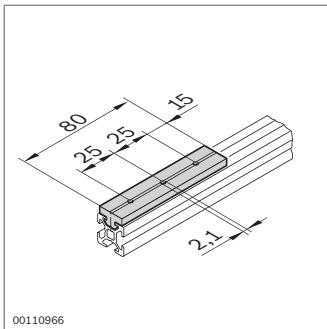


Slider

- For the construction of low-friction guides, e.g. for manual sliding, sliding and lifting doors, as well as drawers

Accessories, optional:

Sheet-metal screws for securing the slider in a profile slot



Slider, flat	No.
	10 3 842 523 213

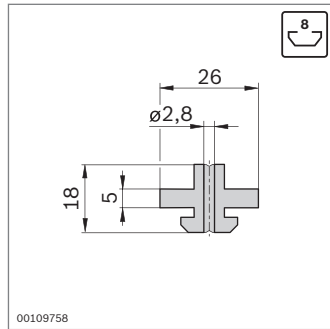
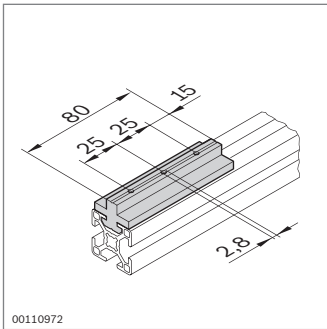
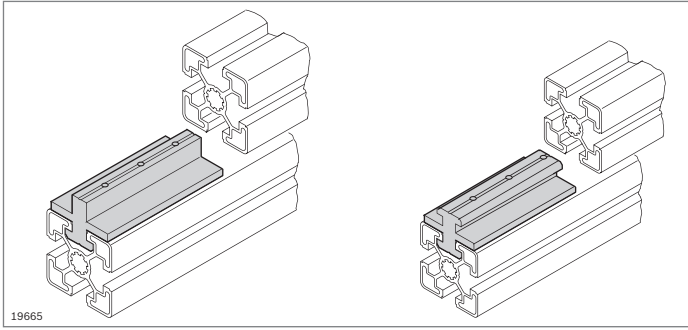
Material: POM, natural

Slider, flat	No.
	10 3 842 523 212

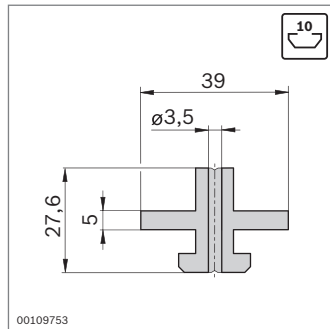
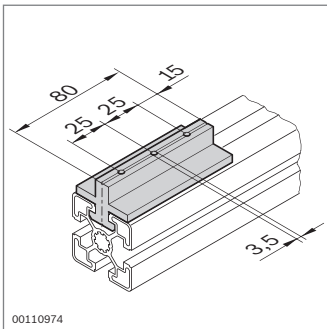
Material: POM, natural

Slider, flat	No.
	10 3 842 530 329

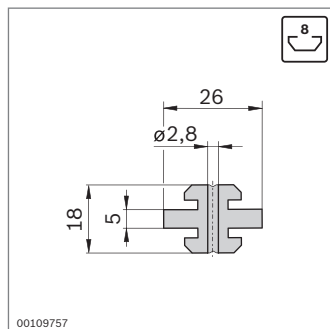
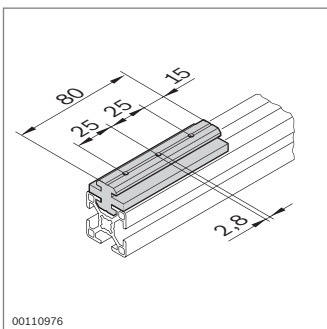
Material: POM, natural



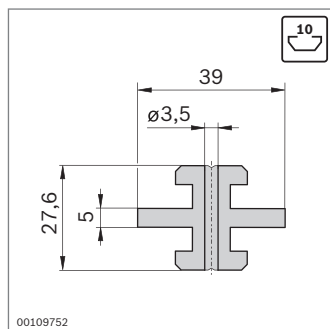
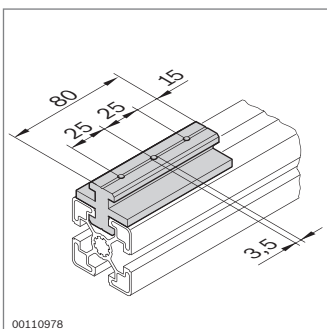
Slider, center	No.
	10 3 842 523 210
Material:	POM, natural



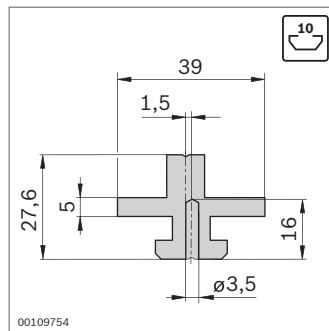
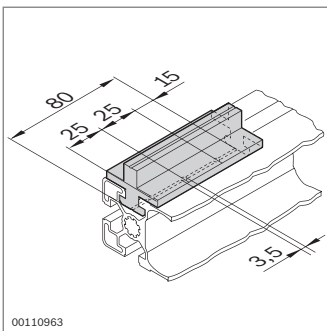
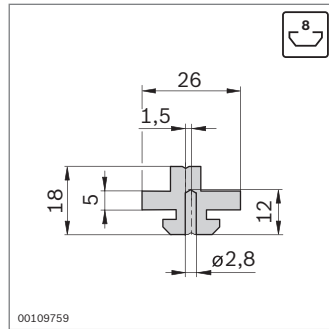
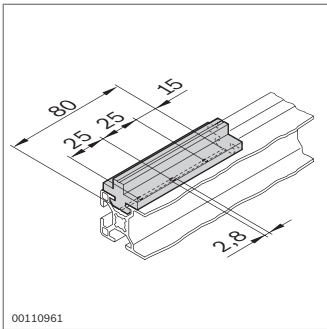
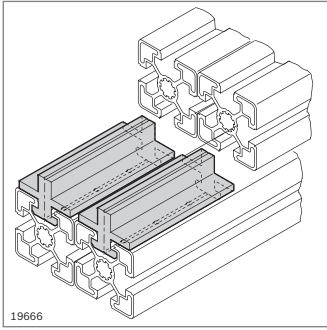
Slider, center	No.
	10 3 842 523 206
Material:	POM, natural



Slider, center	No.
	10 3 842 523 209
Material:	POM, natural



Slider, center	No.
	10 3 842 523 205
Material:	POM, natural



Offset sliders

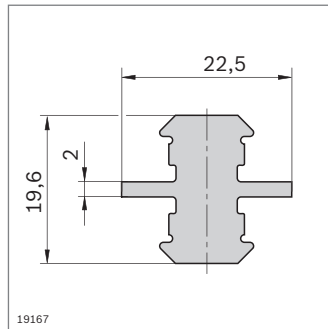
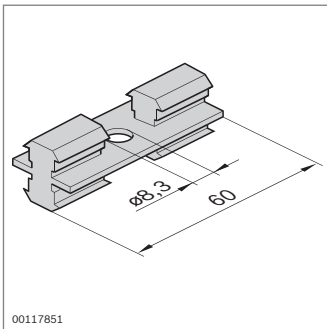
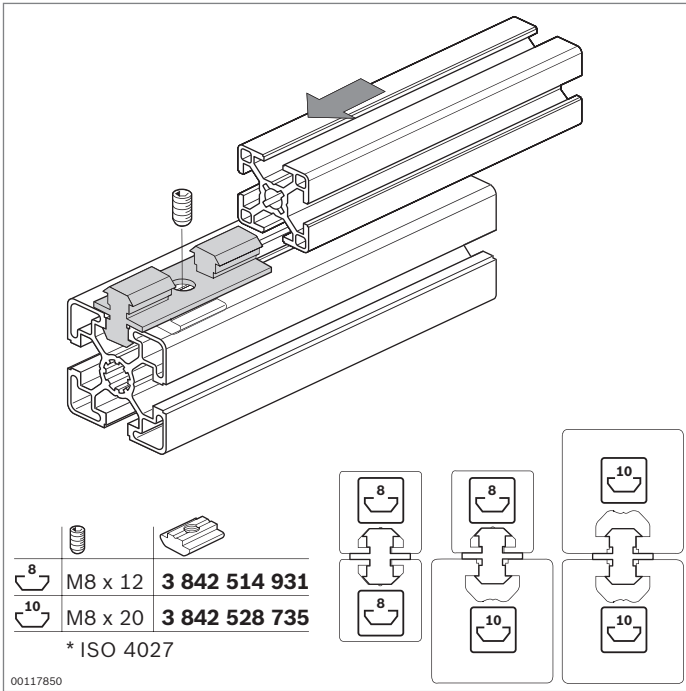
► For constructing multiple sliding doors

Slider, offset	No.
	10 3 842 523 211

Material: POM, natural

Slider, offset	No.
	10 3 842 523 207

Material: POM, natural



Multi-slider



- ▶ Multi-slider for constructing low-friction guides
- ▶ Fits all profiles with 8 mm and 10 mm slot widths
- ▶ Combination of profiles with different slot widths possible

Accessories:

Socket setscrews (ISO 4027) and sliding blocks (p. 3-7) to fasten the slider in the profile slot

Multi-slider 8/10

No.

10 **3 842 513 517**

Material: POM, natural